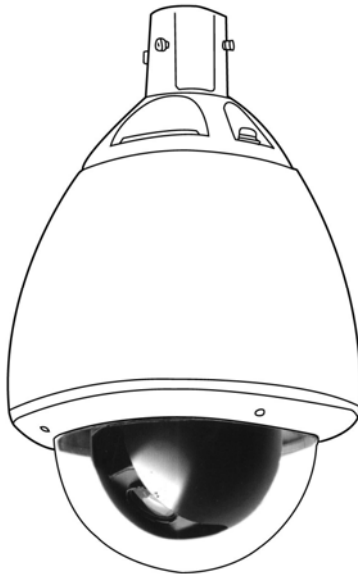


# FastCam Outdoor Speed Dome Camera

## CC-9760 & CC-9760-I USER INSTRUCTION MANUAL



**Version: V1.2**

**Doc No.: 20051114001**

## ABOUT THIS GUIDE

### Conventions used in this guide

To make sure that you perform certain tasks properly, take note of the following symbols used throughout this manual.



**CAUTION:** Information to prevent damage to the components when trying to complete a task.



**NOTE:** Tips and additional information to aid in completing a task.

## PRECAUTIONS



Before operate this product, please read these instructions completely

### **1 Do not attempt to disassemble the camera.**

- To prevent electric shock, do not remove screws or covers.
- There are no user-serviceable parts inside.
- Ask qualified service personnel for servicing.

### **2 Do not use strong or abrasive detergents when cleaning the camera body.**

- Use a dry cloth to clean the camera when it is dirty.
- When the dirt is hard to remove, use a mild detergent and wipe gently. Care should be taken not to scratch the dome when wiping it.
- Afterwards, wipe off the remained part of the detergent in it with a dry cloth.

### **3 Never face the camera towards the sun.**

- Do not aim the camera at bright objects. Whether the camera is in use or not, never aim it at the sun or other extremely bright objects. Otherwise, blooming or smear maybe caused.

### **4 Never face the camera towards a place exposed to light sources for a long time.**

- If light sources such as spot light cause burn-in on the display screen, part of image may discolor due to deterioration of color filter in CCD when changing aim of the camera etc.

#### **5 Do not install this camera upside down.**

- This camera is designed for mounting on the ceiling or wall. Using this camera installed upside down, for example, mounted on the floor, may cause malfunction.

#### **6 Do not operate the camera beyond the specified temperature, humidity or power source ratings.**

- Do not use the camera in an extreme environment where high temperature or high humidity exists. Do not place near heat sources such as radiators, stoves or other units that produce heat.
- Use the camera under conditions where temperature is between  $-30^{\circ}\text{C}$  -  $+50^{\circ}\text{C}$ , and humidity is below 90 %. The input power source is DC12V/3A.

#### **7 Do not install the camera near the air out-let of an air conditioner.**

The lens may become cloudy due to condensation if the camera is used under the following conditions.

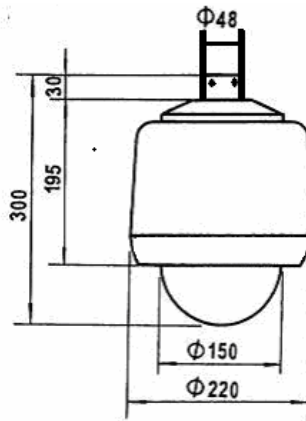
- Rapid temperature fluctuations by switching the air conditioner on and off.
- Rapid temperature fluctuations due to frequent door opening and closing.
- Use in an environment where eyeglasses become foggy.
- Use in a room filled with cigarette smoke or dust.

#### **8 Consumables**

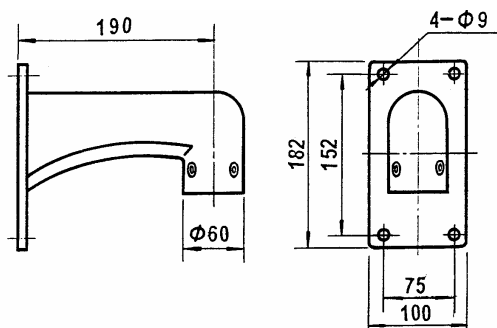
- Parts having contacts such as the lens-drive motors, cooling fan motor and slip rings built inside the camera are subject to wear with time. About replacement and maintenance of such parts, please ask the local dealer.

## DIMNSION

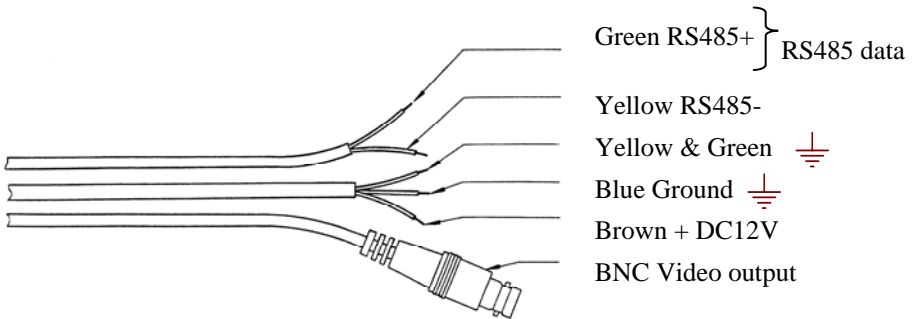
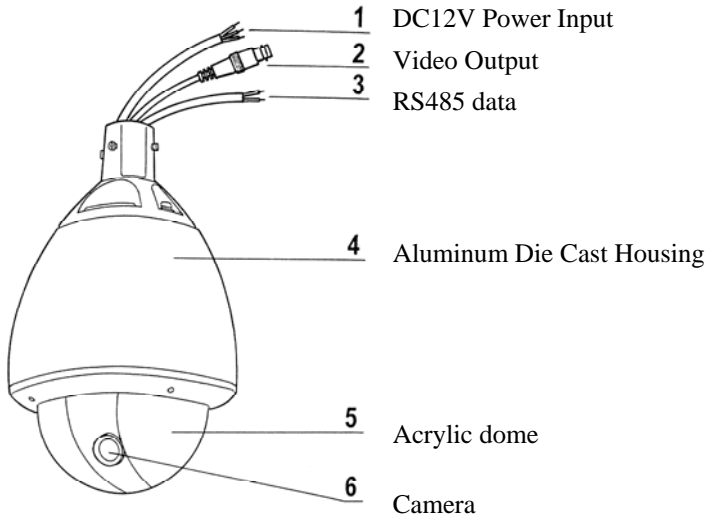
### Speed Dome Camera



### Wall Bracket



## CONNECTIONS



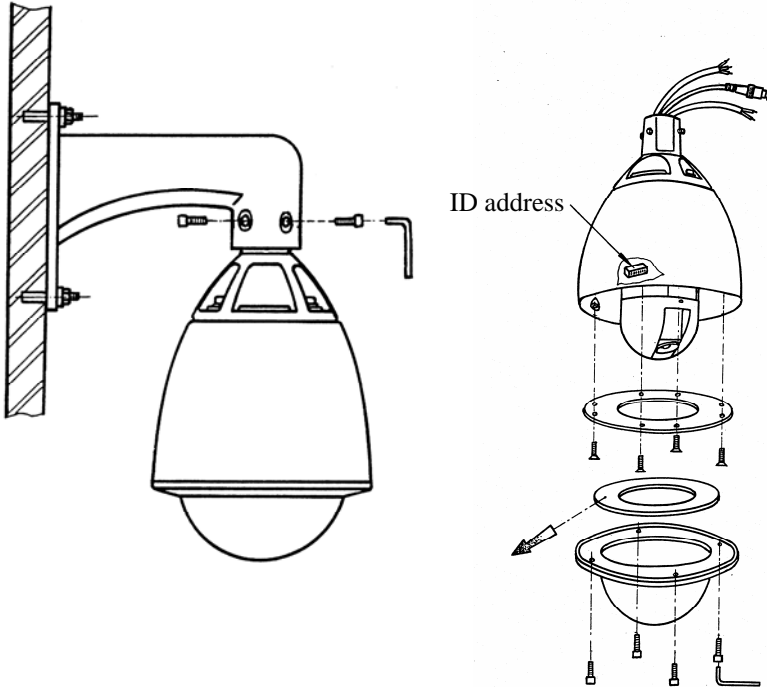
The camera has build in heater and fan for temperature control. If the temperature lower than 15°, the heater will be turned on automatically. And the fan will be auto enable when the temperature higher than 45°.



When powered on, the camera performs a self-check automatically (including one panning, tilting, zooming and focusing operation).

## INSTALLATION

1. Installing speed dome camera to the bracket using 4 piece M6 Screws.
2. Installing the bracket to an existing structure.



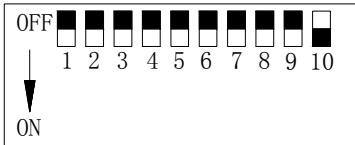
## LED INDICATOR

There are two LED on the Controller Board, the function description as below:

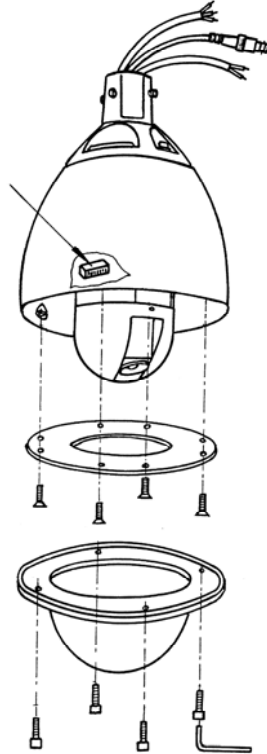
**Red LED:** The LED will be on when connect to the power.

**Green LED:** The LED will be flash when receive the control signal, otherwise the LED always on.

## ID SETING



Unscrewing the screws to remove the cover of Speed dome that you will find out the Dip Switch. Please refer to **Table 1** to setup the ID address by Dip Switch.



## SETTING BAUD RATE

You can select the baud rate by the Dip Switch, please refer to the table as below:

<b>Dip Switch</b>	<b>S 9</b>	<b>S 10</b>
<b>Baud Rate</b>		
<b>Pelco " P " 9600 BPS</b>	<b>OFF</b>	<b>ON</b>
<b>Pelco " P " 4800 BPS</b>	<b>ON</b>	<b>OFF</b>
<b>Pelco " D " 2400 BPS</b>	<b>OFF</b>	<b>OFF</b>



The default setting of FastCam is 9600-baud rate and ID 00.

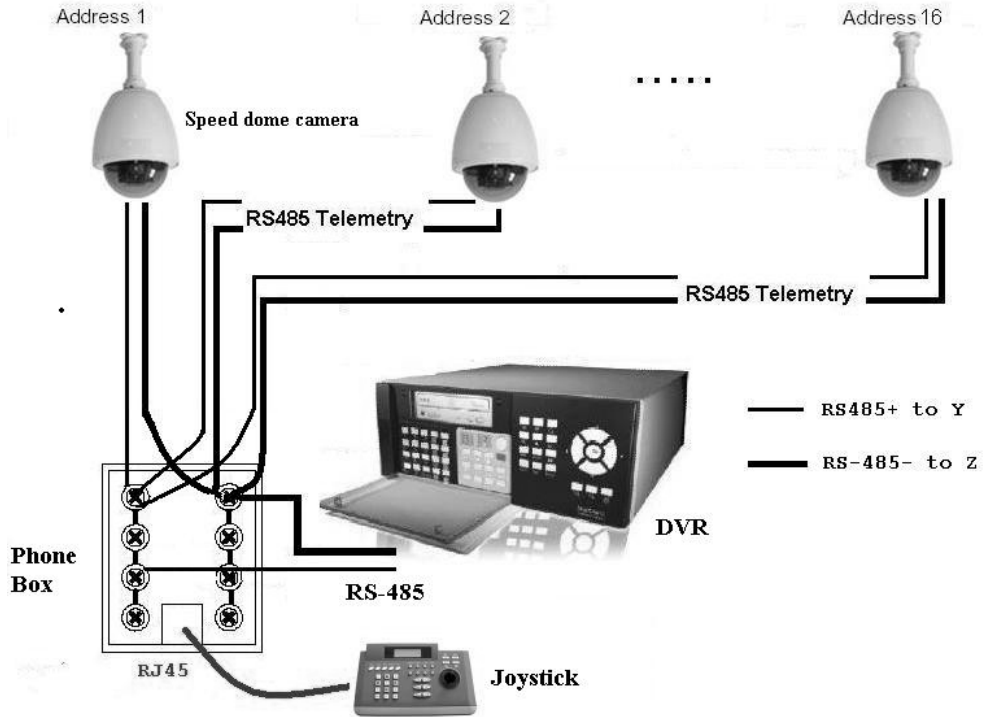
It must reboot power when you setup the ID address or Baud rate, otherwise the setting will keep on the last time.

<b>ID/ Switch</b>	<b>S 8</b>	<b>S 7</b>	<b>S 6</b>	<b>S 5</b>	<b>S 4</b>	<b>S 3</b>	<b>S 2</b>	<b>S 1</b>
<b>0</b>	OFF	OFF	OFF	OFF	OFF	OFF	OFF	ON
<b>1</b>	OFF	OFF	OFF	OFF	OFF	OFF	ON	OFF
<b>2</b>	OFF	OFF	OFF	OFF	OFF	OFF	ON	ON
<b>3</b>	OFF	OFF	OFF	OFF	OFF	ON	OFF	OFF
<b>4</b>	OFF	OFF	OFF	OFF	OFF	ON	OFF	ON
<b>5</b>	OFF	OFF	OFF	OFF	OFF	ON	ON	OFF
<b>6</b>	OFF	OFF	OFF	OFF	OFF	ON	ON	ON
<b>7</b>	OFF	OFF	OFF	OFF	ON	OFF	OFF	OFF
<b>8</b>	OFF	OFF	OFF	OFF	ON	OFF	OFF	ON
<b>9</b>	OFF	OFF	OFF	OFF	ON	OFF	ON	OFF
<b>10</b>	OFF	OFF	OFF	OFF	ON	OFF	ON	ON
<b>11</b>	OFF	OFF	OFF	OFF	ON	ON	OFF	OFF
<b>12</b>	OFF	OFF	OFF	OFF	ON	ON	OFF	ON
<b>13</b>	OFF	OFF	OFF	OFF	ON	ON	ON	OFF
<b>14</b>	OFF	OFF	OFF	OFF	ON	ON	ON	ON
<b>15</b>	OFF	OFF	OFF	ON	OFF	OFF	OFF	OFF
<b>16</b>	OFF	OFF	OFF	ON	OFF	OFF	OFF	ON
<b>17</b>	OFF	OFF	OFF	ON	OFF	OFF	ON	OFF
<b>18</b>	OFF	OFF	OFF	ON	OFF	OFF	ON	ON
<b>19</b>	OFF	OFF	OFF	ON	OFF	ON	OFF	OFF
<b>...</b>	...	...	...	...	...	...	...	...
<b>255</b>	ON	ON	ON	ON	ON	ON	ON	ON

**Table 1**

# SYSTEM CONFIGURATION

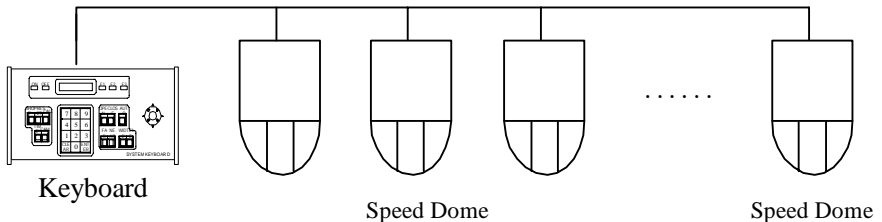
## Star configuration



If you connect the cable on the “ Box “ of CC-9755. You must follow up:

Connect O/R with RS-485+ A (Y); Connect S/L with RS-485- B (Z)

## Daisy Chain configuration



## OPERATION

The speed dome camera can be controlled remotely horizontal and vertical movement. It is used with a system controller, separately. It is controlled remotely from the controller through a serial connection to the RS-485 connector using a twisted-pair cable.

### Preset Memory

The preset memory function will memories camera positions and zoom, focus, etc. Setting up to 128 preset camera positions can be memorized. Later, you can easily recall any of the preset camera positions by entering its corresponding number, and the camera will move the memorized position with all the preset settings.

- **To set a preset position**

+  , the LCD will display

N: The number of preset position: 1~128.

- **To call a preset position**

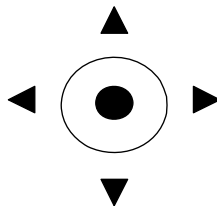
When camera positions have been preset, you can enter a memorized camera position number.

+  , the LCD will display

N: The number of preset position: 1~128.

### Pan / Tilt Function

The pan function will move the camera on all horizontal planes, to surveillance position. The tilt function will move the camera on a vertical plane, to surveillance position. The speed is variable according to the angle of joystick.



## Zoom Function

Press **TELE** the LCD displays Zoom Tele.

Press **WIDE** the LCD displays Zoom Wide.

## Backlight Function

- To turn on Backlight function of camera: **55** + **PRESET**
- To turn off Backlight function of camera: **55** + **CALL**

## Auto Pan Scan Function

The auto pan scan function allows you to have the camera move back and forth automatically with a preset speed between the 2 preset camera positions.

- To set a start position of auto scan: **51** + **PRESET**
- To set a stop position of auto scan: **52** + **PRESET**
- To start auto scan: **51** + **CALL**
- To stop auto scan: **52** + **CALL**

## To Surveillance by Cruise Tracks

You can set the cruising tracks for camera and call any of them. Each cruising track contains up to 16 preset positions. You can set up the staying period and moving speed for each preset position.

- To set a cruise track between 1-16 preset position: **32** + **CALL**
- To stop cruise track function: **53** + **CALL**

## Power Off Protection

When the camera enable the Cruise Track or pan auto scan function and the power shut down abnormal. It will keep the last status when power comes again.

**SPECIFICATION**

<b>Item \Model</b>	<b>CC-9760</b>
<b>Image Sensor</b>	High Sensitive 1/4" Sony Super HAD CCD
<b>Pixels Number</b>	NTSC: 811 x 508 / PAL: 795 x 596
<b>Resolution</b>	480 TV Lines
<b>S/N Ratio</b>	More Than 48dB (AGC Off)
<b>Video Output</b>	1.0 Vp-p (75 Ohms, composite)
<b>Optical Zoom</b>	27X (F1.5)
<b>Digital Zoom</b>	10X
<b>Illumination</b>	0.01 Lux (ESSM), 1.0 Lux (30 IRE)
<b>Zoom Speed</b>	NTSC: 5.0 Sec / PAL: 5.25 Sec
<b>Shutter Speed</b>	NTSC: 1/60-1/30,000 Sec. PAL: 1/50-1/30,000 Sec.
<b>Shoot Distance</b>	Min. 1 cm (Wide) / 1 meter (Tele)
<b>Horizontal Scan</b>	360 degrees continuously
<b>Vertical Scan</b>	Less than 90 °
<b>Turn Speed</b>	0.3~240 °/ Sec.
<b>Preset</b>	128 presets position
<b>Interface</b>	RS-485
<b>Baud Rate</b>	1200, 2400, 4800, 9600 selectable.
<b>Protocol</b>	Pelco " P " format
<b>Housing</b>	Aluminum
<b>Mount Type</b>	Wall / Ceiling mount (Option)
<b>Waterproof</b>	IP 67
<b>Temp. Controller</b>	Build in Fan & Heater
<b>Power Supply</b>	DC-12V / 3A
<b>Weight / Size</b>	Approx. 5 Kg / 6 Inch
<b>Temperature</b>	<b>Operation:</b> -10 ° C to 50 ° C; <b>Storage:</b> -10 ° C to 50 ° C

## TROUBLES SHOOTING

Problems	Possible Causes	Remedies
No action and images when power is switched on	Power supply damaged or insufficient power	Replace
	Wrong connection of power supply	Correct
	Faults in engineering circuits	Remove
Abnormal self-inspection. Images with roaring sound of the motor	Mechanical fault	Repair
	Tilting camera	Place uprightly
	Insufficient electrical power	Replace with qualified power supply
Normal self-inspection but no images	Failed Video Flat cable	Replace
	Camera damaged	Replace
Successful self-inspection but out of control	Wrong connection of RS-485 signal wire	Correct
	Mismatched address of spherical camera	Reselect
	Problem on PTZ controller	Replace
	Too longer distance of communication	Correct
	Mismatched protocol	Adjust controller protocol to match PTZ camera/



Normal problems and their causes and remedies mentioned above are only for reference. Should you meet other special problems, you can ask for technical support from your dealer directly.