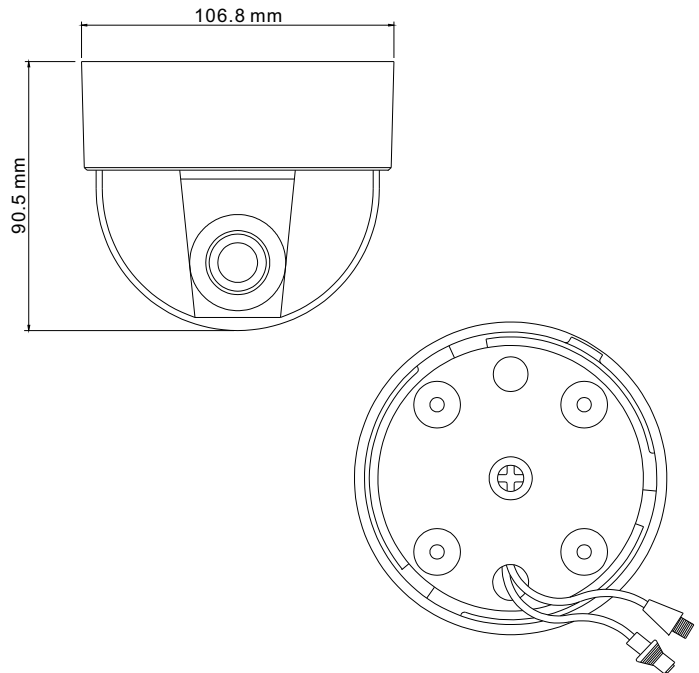


## CC-9006W / CC-9006WH

HIGH RESOLUTION



### FEATURES

#### CC-9006W

- SONY 1/3" Super HAD CCD sensor
- 380 TV Lines of Horizontal Resolution
- Minimum illumination of 0.2 Lux
- AES, AGC, AWB

#### CC-9006WH

- High Resolution SONY 1/3" Super HAD CCD sensor
- 470 TV Lines of Horizontal Resolution
- Minimum illumination of 0.4 Lux
- AES, AGC, AWB

### SPECIFICATION

Model Number	CC-9006W	CC-9006WH
Image Pick-up Device	SONY 1/3" super HAD CCD sensor	SONY 1/3" HR super HAD CCD sensor
Effective Picture Element	NTSC: 510(H)x492(V) PAL: 500(H)x582(V)	NTSC: 768(H)x494(V) PAL: 752(H)x582(V)
Horizontal Resolution	380 TV lines	470 TV lines
Minimum Illumination	0.2 LUX @ F2.0	0.4 LUX @ F2.0
S/N Ratio	More than 48dB	
Auto Electronic Shutter	NTSC: 1/60s~1/100,000s, PAL: 1/50s~1/110,000s	
Gamma Characteristic	0.45	
Lens Furnished	3.6mm/F2.0 Board Lens	
Auto Gain Control	Yes	
Auto White Balance	Yes (2500K~9500K)	
Synchronous System	Internal, Negative Sync.	
Video Output	1 Vp-p / 75 Ohms, BNC connector	
Power Supply	12V DC	
Operating Temperature	-10 °C ~ 50 °C (14 °F ~ 122 °F)	

\*Specifications subject to change without notice